

LED Transit Colorlight Signal Modules

5.5 inch (140 mm) - 120V AC
-70 Series



TR3 Transit

Outstanding Reliability

- Self-contained design provides protection against moisture and dust
- Backed by a 48 month limited warranty
- Over 210,000 wayside signals sold worldwide

Excellent Appearance & Visibility

- Robust LED system design enables high luminous intensity over long product life
- Easy to install and align
- Customizable front lens using Lens Kits¹

Meets Rigorous Certification & Testing Standards

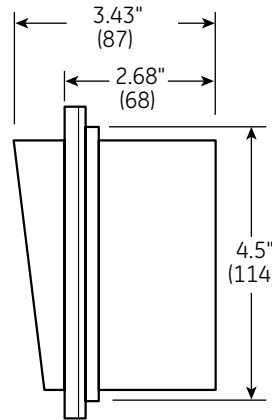
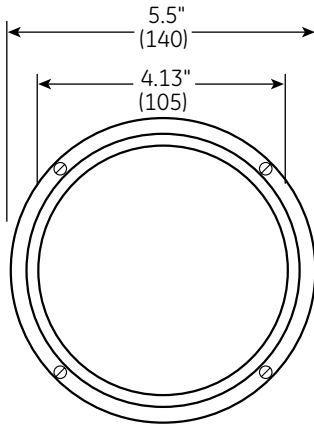
- Meets AREMA standards
- All lamps undergo comprehensive testing in the manufacturing plant

TR3 LED Transit Colorlight Signal Modules

• 5.5 inch (140 mm) - 120V AC • 70 Series

Mechanical Outline

Dimensions in inches. (mm) indicates metric equivalent



Design Compliance

Characteristic	Compliance
Mechanical Vibration & Shock	AREMA 11.5.1.D.4/D.5. Class B
Water/Dust Ingress Protection (in typical Rail Housing)	EN 60529 IP55 (EN 60529 IP65)
Dielectric Strength	AREMA 11.5.1.D4
Electrical Surge Protection	EN61000-4-5, Class 3,
Electromagnetic Compatibility (EMC)	EN55011 FCC Part 15, Subpart B

Operating Specifications

Parameter	Rating
Operating Temperature Range	-40 to 70°C (-40 to 158°F)
Nominal Operating Voltage	120V AC
Operating Voltage Range	85 - 135V AC
Voltage Turn-Off	45V AC (50/60 Hz)
Turn-On/Turn-Off Time	< 200 ms

Product Information

Model Number	Aspect Color	Nominal Watts	Number of LEDs
Mid-Range			
● TR3-RSFB301A-70	Red	4.0	36
● TR3-YSFB301A-70	Yellow	3.4	36
● TR3-GSFB301A-70	Green	3.6	36
○ TR3-WCFB301A-70	White	4.0	36
Long Range			
● TR3-RCFB501A-70	Red	6.0	88
● TR3-YCFB501A-70	Yellow	7.0	88
● TR3-GCFB501A-70	Green	7.9	88
● TR3-BCFB501A-70	Blue	TBD	TBD
○ TR3-WCFB501A-70	White	7.4	88

Distributed by:

current
powered by GE

www.currentbyge.com

All trademarks are the property of their respective owners. Information provided is subject to change without notice. All values are design or typical values when measured under laboratory conditions. Current, powered by GE is a business of the General Electric Company.
© 2016 GE.

RAIL160 (Rev 07/25/16)