

LED Tricolor Signal

8 inch (200 mm) - 10V DC

-96 Series

Project Name _____

Date _____ Type _____

Notes _____



OUTSTANDING RELIABILITY

- Compatible with most controllers with light-out-detection circuits
- Self-contained design provides protection against moisture and dust
- Backed by a 48 month limited warranty
- Over 210,000 wayside signals sold worldwide

EXCELLENT APPEARANCE & VISIBILITY

- Three aspects in a single, compact module
- Robust LED system design enables high luminous intensity over long product life
- Efficient optical system delivers uniform color across both wide- and narrow- beam signals
- Sun Phantom reducing features have been incorporated in our design¹

MEETS RIGOROUS CERTIFICATION & TESTING STANDARDS

- Meets selected AREMA recommended practices, as detailed in the Design Compliance Table
- All lamps undergo comprehensive testing in the manufacturing plant

EXCEPTIONAL DESIGN

- Independent power supplies
- Robust mechanical design
- Designed for quick installation



LED Tricolor Signal

8 inch (200 mm) - 10V DC

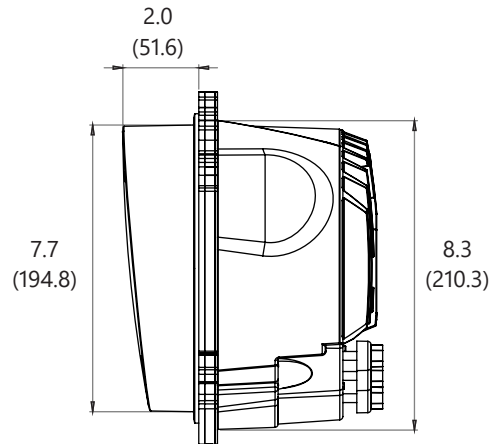
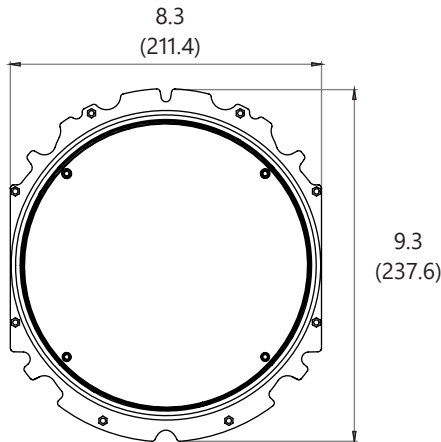
-96 Series

Project Name _____

Date _____ Type _____

Notes _____

Mechanical Outline Dimensions in inches (mm)





Design Compliance

Characteristic	Compliance
Impact Resistance of Front Shell	IR3
Mechanical Vibration & Shock	AREMA 11.5.1.D.4/D.5. Class B
Water/Dust Ingress Protection (in typical Rail Housing)	EN 60529 IP65
Dielectric Strength	2kV rms
Electrical Surge Protection	EN61000-4-5, Class 3, AREMA 11.3.3*
Electromagnetic Compatibility (EMC)	FCC Part 15, Subpart B

Operating Specifications

Parameter	Rating
Operating Temperature Range	-40 to 70°C (-40 to 158°F)
Nominal Operating Voltage	10V DC
Operating Voltage Range	8 - 16V DC
Nominal Voltage Turn-Off	3.5V DC
Turn-On/Turn-Off Time at Nominal Voltage	< 75ms
Typical Clamping Voltage (AREMA 11.3.3.E)	42V
Maximum Allowable Surge Voltage and Energy Handling Capability (AREMA 11.3.3.E)	65V DC & 15J for 2ms

Product Information

Model Number	Nominal Power				
	Green	Yellow	Red	Clear Shell	Smoked Shell
 RM4-TCFB-75B-96	16W	17W	16W	X	
 RM4-TSFB-75B-96	16W	17W	16W		X

All value are design or typical values when measured under laboratory conditions at T=25C

¹ Signal performance when exposed to external light (ex. sun, head lamp) is dependant on each application field testing is recommended.

* Assuming adequate primary and secondary surge protection is present at the signal head.

Distributed by: